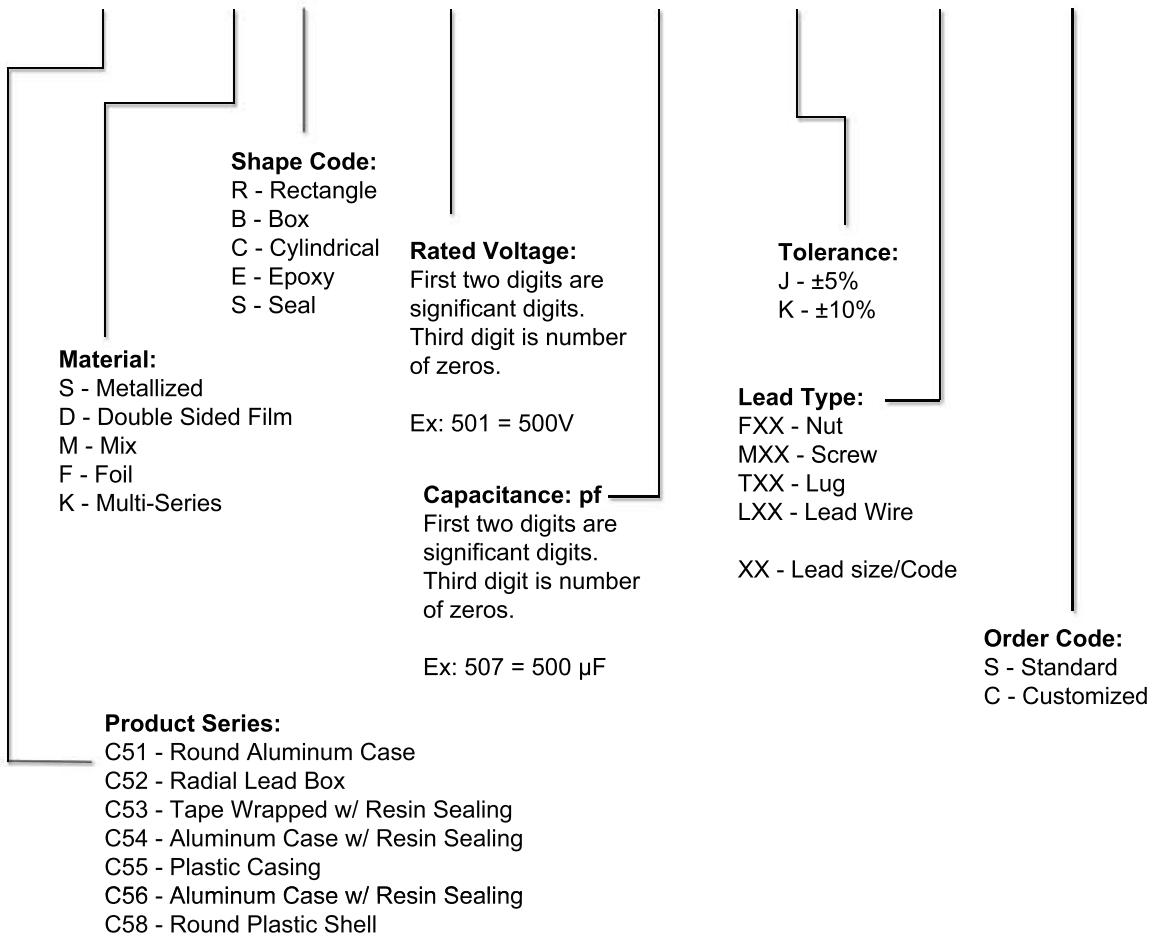


DC Link Nomenclature

C 5 1 S C 5 0 1 5 0 7 K T X X C





Series C58 DC-Link Polypropylene Capacitors

Features: Flame retardant to UL94, extended metallized film, dry connection, round plastic shell, tinned copper nut (or bolt), high current, low inductance, high stability, self healing.

Applications: Coupling/filtering for UPS, SMPSs, inverter, welding machine power.

Specifications

1) Operating Temperature

-40°C to 85°C.

2) Capacitance

25µF to 240µF

3) Rated Voltage

700 VDC to 1800 VDC

4) Tolerance

±5% ±10%

5) Test Voltage Between Terminals

1.6 X rated voltage 10s 25°C ± 5°C.

6) Dissipation Factor

0.2% max at 25°C ± 5°C, 1 kHz.

7) Insulation Resistance

5000 MΩ*µF min, at 100 VDC, 25°C ± 5°C,

8) Life Expectancy

200000h at DC voltage and 70°C

Surge Voltage Limits

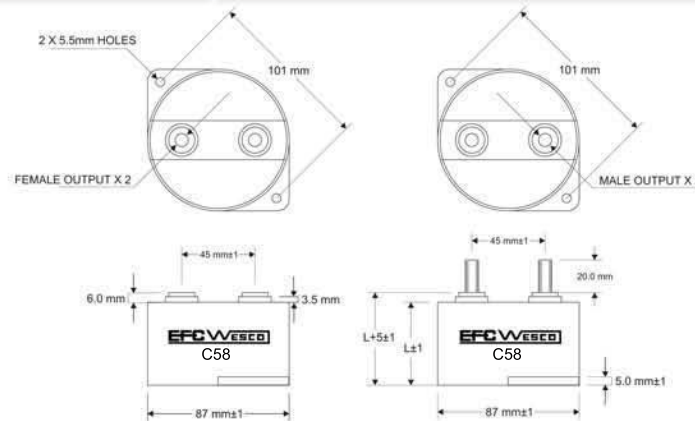
Surge Voltage (VDC)	Max Duration
1.1 x Rated	30% of service period
1.15 x Rated	30 min./day
1.2 x Rated	5 min./day
1.3 x Rated	1 min./day
1.5 x Rated	100mS/day; no more than 1000 times



Please consult factory for special requirements, including non-standard values and sizes

C58 Round Plastic Shell

DC Link Polypropylene Capacitors



Dimensions and Ratings

Cap.		700 VDC						
μF	Part #	Dimension (mm)		I _{peak} (A)	I _{rms max} (A)	ESR (mΩ)	ESL (nH)	Output
		L	D					
150	C58SB701157K***#	51	87	5300	85	0.4	< 30	M6
240	C58SB701247K***#	66	87	5600	60	1.0	< 40	M6

Cap.		900 VDC						
μF	Part #	Dimension (mm)		I _{peak} (A)	I _{rms max} (A)	ESR (mΩ)	ESL (nH)	Output
		L	D					
100	C58SB901107K***#	51	87	4500	75	0.6	< 30	M6
150	C58SB901157K***#	66	87	4400	55	1.1	< 40	M6

Cap.		1000 VDC						
μF	Part #	Dimension (mm)		I _{peak} (A)	I _{rms max} (A)	ESR (mΩ)	ESL (nH)	Output
		L	D					
80	C58SB102806K***#	51	87	4000	70	0.6	< 30	M6

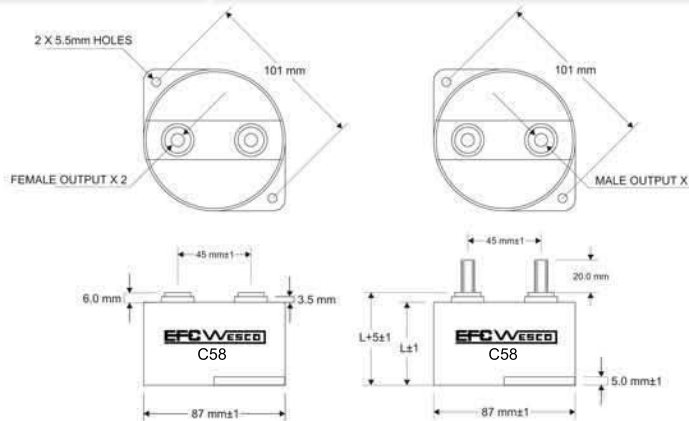
Cap.		1100 VDC						
μF	Part #	Dimension (mm)		I _{peak} (A)	I _{rms max} (A)	ESR (mΩ)	ESL (nH)	Output
		L	D					
70	C58SB112706K***#	51	87	3800	70	0.65	< 30	M6
100	C58SB112107K***#	66	87	3600	50	1.3	< 40	M6



Please consult factory for special requirements, including non-standard values and sizes

C58 Round Plastic Shell

DC Link Polypropylene Capacitors



Dimensions and Ratings

Cap.	1250 VDC							
µF	Part #	Dimension (mm)		I _{peak} (A)	I _{rms max} (A)	ESR (mΩ)	ESL (nH)	Output
		L	D					
50	C58SB1252506K***#	51	87	3200	65	0.75	< 30	M6
75	C58SB1252756K***#	66	87	3100	45	1.5	< 40	M6

Cap.	1450 VDC							
µF	Part #	Dimension (mm)		I _{peak} (A)	I _{rms max} (A)	ESR (mΩ)	ESL (nH)	Output
		L	D					
40	C58SB1452406K***#	51	87	2900	60	0.8	< 30	M8
50	C58SB1452506K***#	66	87	2400	45	1.6	< 40	M6

Cap.	1800 VDC							
µF	Part #	Dimension (mm)		I _{peak} (A)	I _{rms max} (A)	ESR (mΩ)	ESL (nH)	Output
		L	D					
25	C58SB182256K***#	51	87	2300	55	1.0	< 30	M8
35	C58SB182356K***#	66	87	2100	40	2.0	< 40	M8